



Blockchain-based File Sync & Sharing

Information Flow Creates Value

Public information starts to flow when it can be easily searched

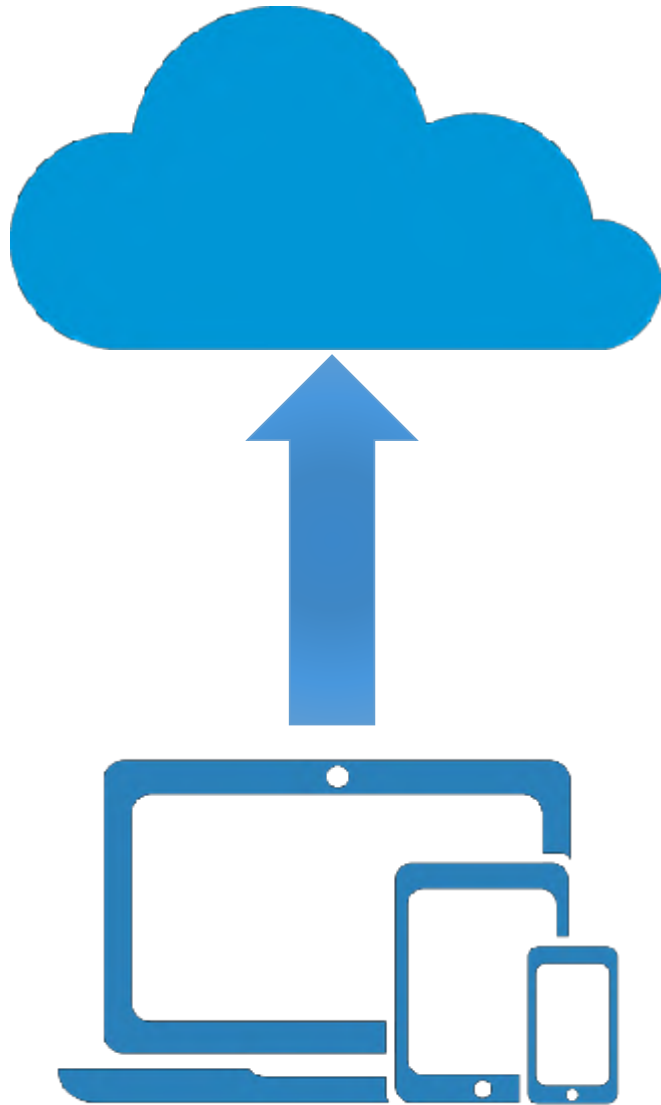




Semi-private information starts to flow when online communities can be easily formed



Private information can only flow when it can be easily and securely shared and collaborated upon

Future of Cloud Storage



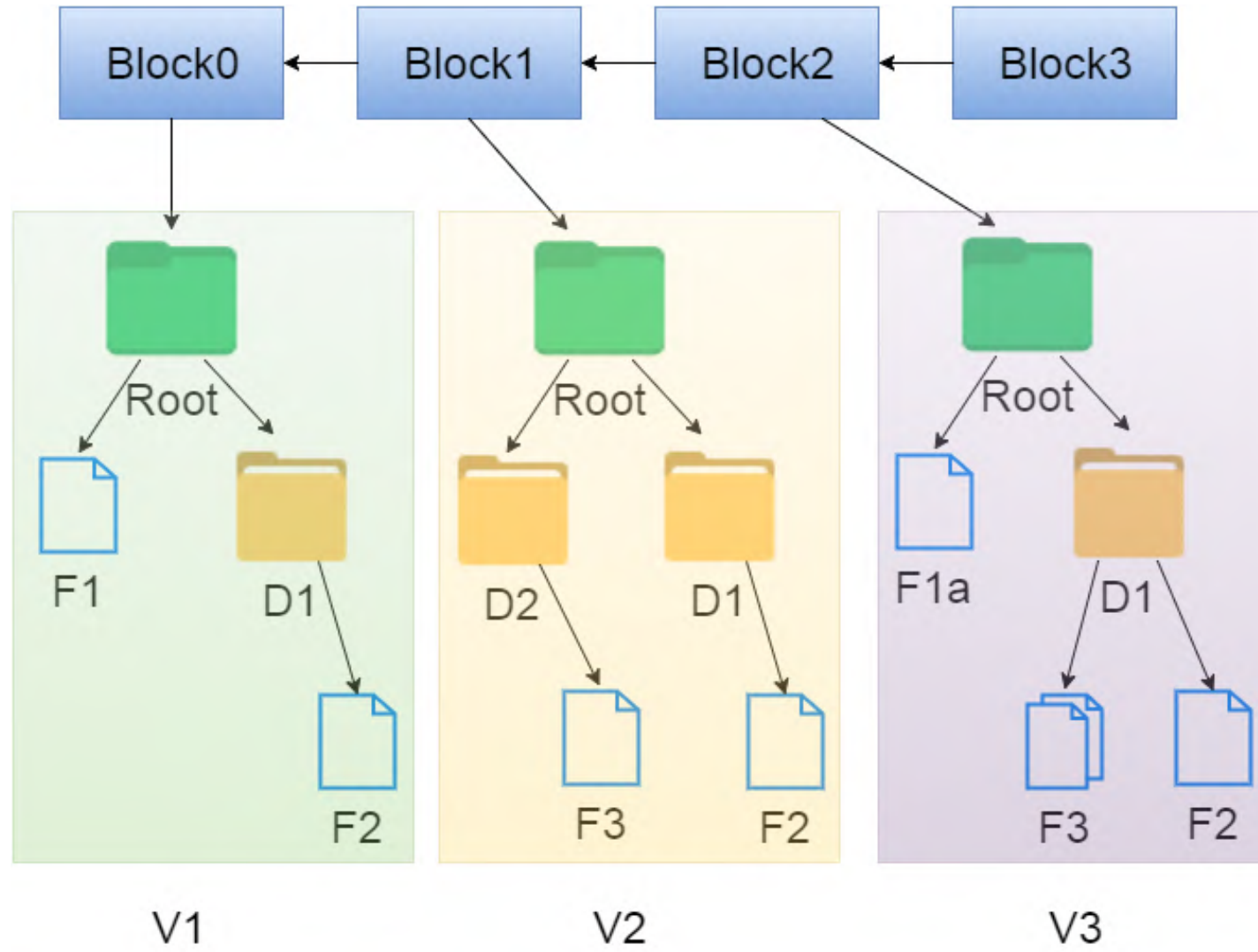
- Transition to cloud storage is the future.
- Stumbling block for business: **Data Security** (logical data ownership).
- Traditional approach: Firewall 
- New paradigm: **Blockchain** 

Cloud Storage Solutions Overview

	Logical Data Ownership			
	Immutable & Distributed	Content & Metadata Encryption	Man-In-The-Middle Attack Detection	Search on Encrypted Data
Traditional Security Solution: Firewall	✗	✗	-	-
Current EFSS Solutions	✗	✗	✗	✗
ALLIVault	✓	✓	✓	✓

ALLIVault: Blockchain-based technique guarantees user complete logical ownership for data stored on cloud.

Blockchain/Merkle Tree



Immutable and Distributed

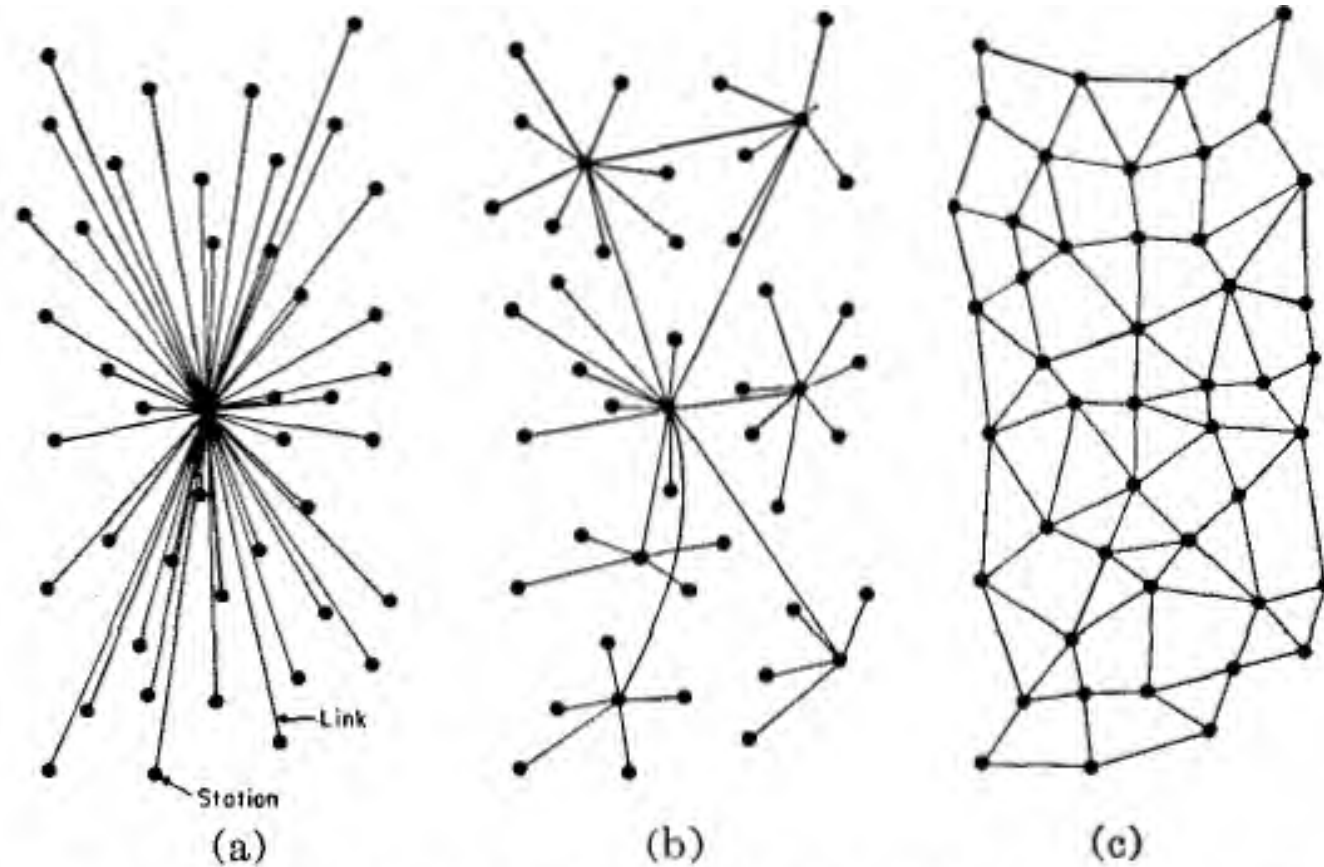
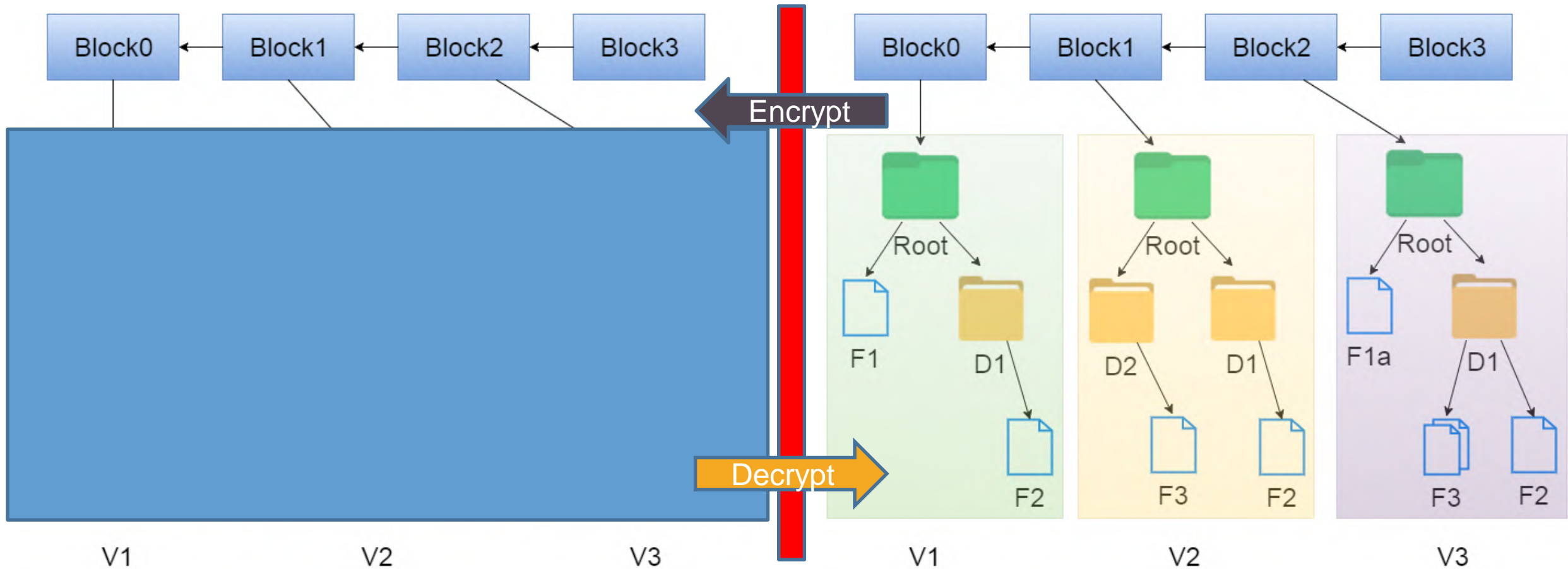


Fig. 1—(a) Centralized. (b) Decentralized. (c) Distributed networks.

Trade-off b/w Metadata Encryption and Ease of Use



ALLIVault Solution: Blockchain-based architecture for Key Management (Patent-pending, App. # 14/750,567)

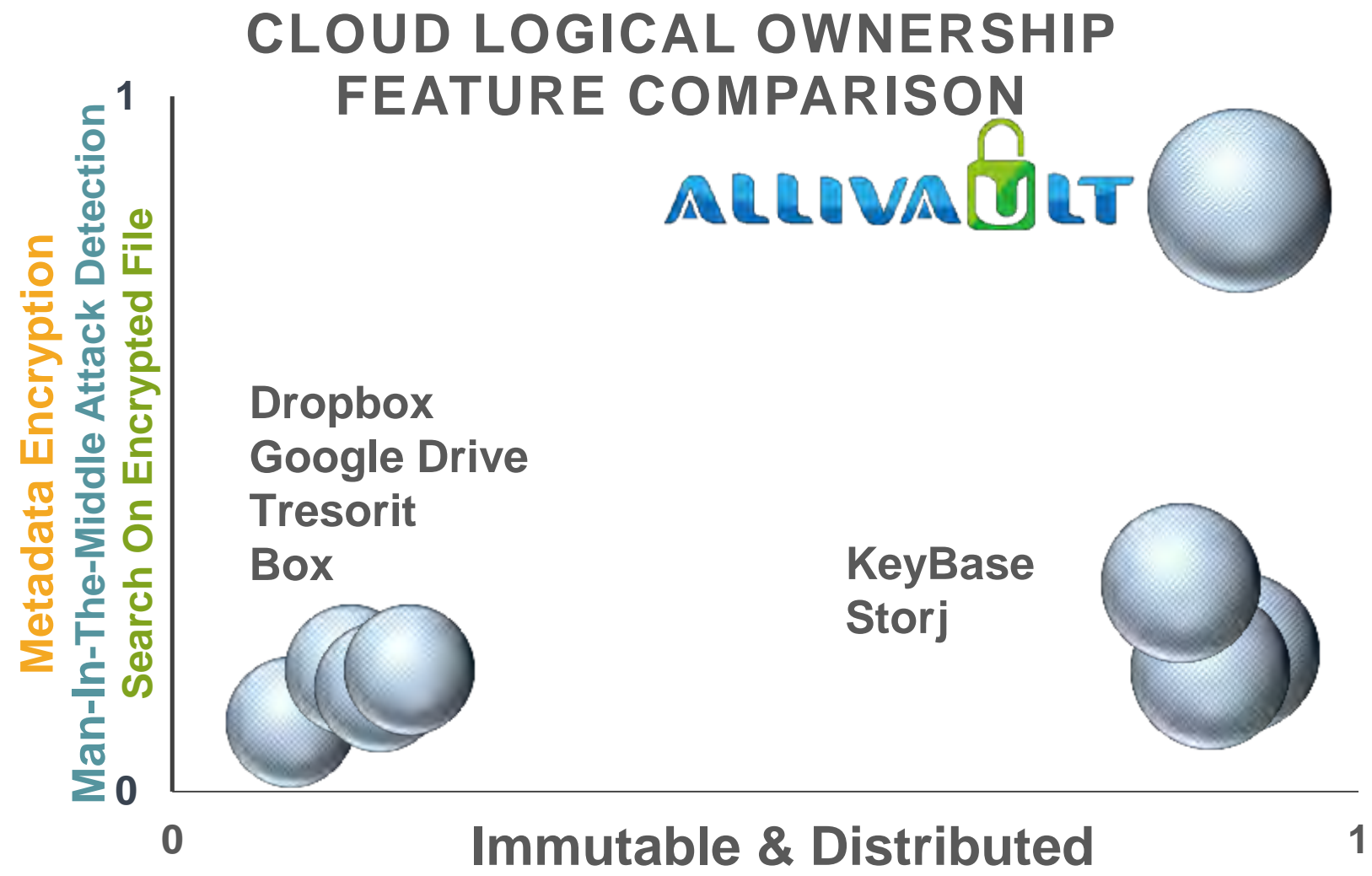
Search On Encrypted Data



ALLIVault Solution: Separation of Index DB and ciphertext DB
(Patent pending, App # 15/048,726)

Competitive Landscape

- Metadata Encryption
- Man-In-The-Middle Attack Detection
- Search On Encrypted File



Go To Market Strategy

Step 3: Expand to more industries and professional services

- Acquire users in massive-scale

B2B
B2B2C

Step 2: Partner with prevalent third-party products and provide embedded security feature.

- Provide embedded enhanced security features

B2D

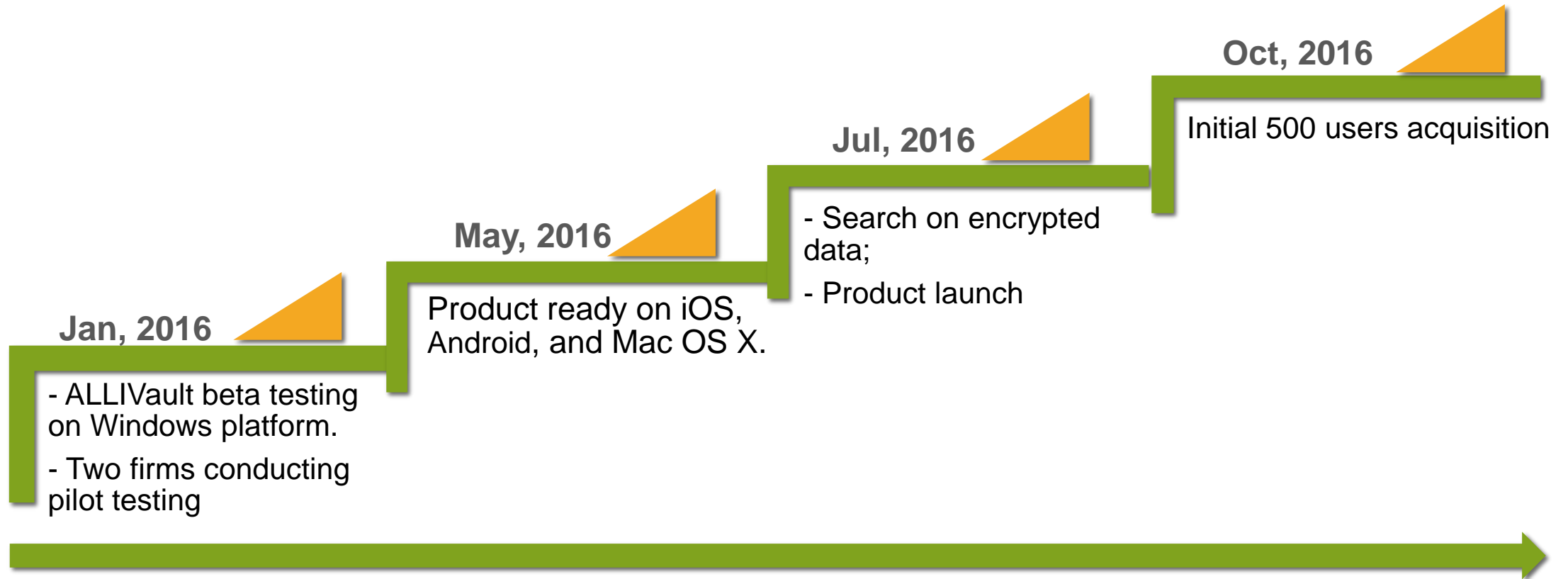
Step 1: Focus on financial and media industries

- As a lump-sum package or by number of licenses

B2B

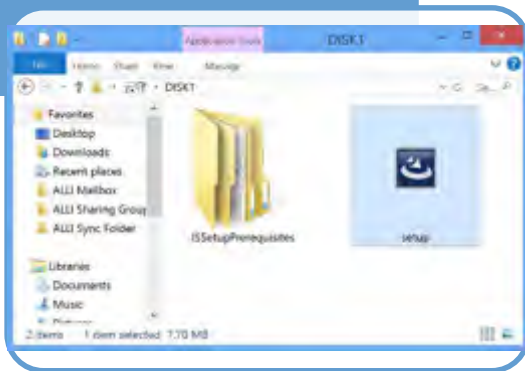
Revenue Model: Subscription-based SaaS Model
\$10-20/month/user

Timeline and Milestones

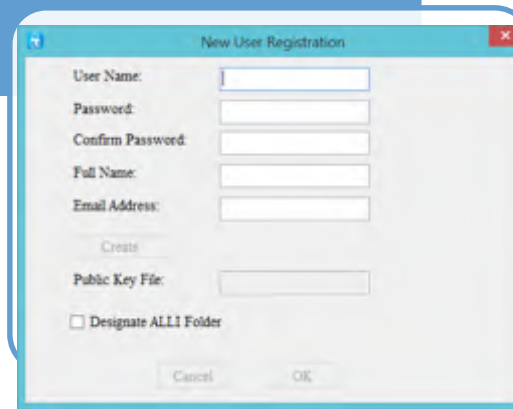


Product deployment: Easy as dropbox

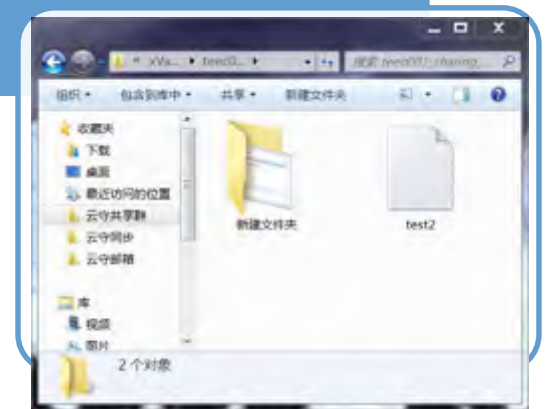
Installation



Registration



Normal use



Our Team



Xuesong Hu



Ph.D., USC



Daming Wang

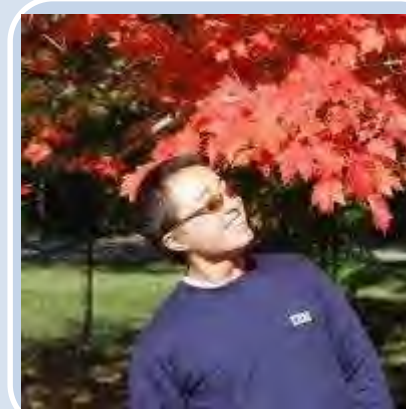


MS, U Mich



Rui Zou

Sr. Software
Engineer
Ph.D., Drexel
U.



Dan



Twitter

Data Storage
Expert





Blockchain-based Data Ownership

Thank you!

Xuesong Hu
CEO, ALLI Enterprises, Inc.
xuesong@allienterprises.com

